

GREEN'UP

YOUR ELECTRIC VEHICLE




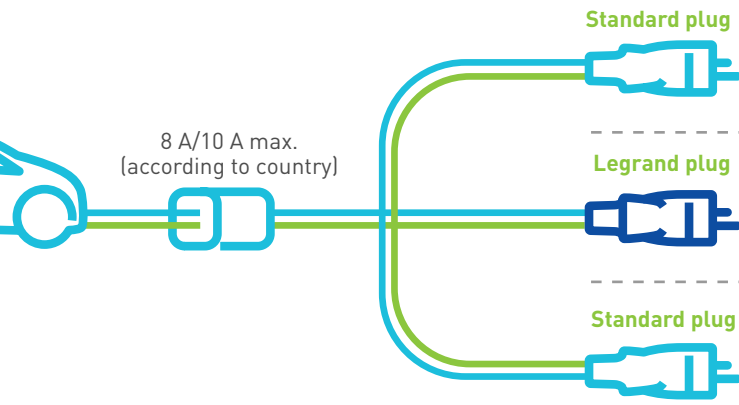







CHARGING SOLUTIONS
FOR ELECTRIC VEHICLES
OR PLUG-IN HYBRIDS

THE GLOBAL SPECIALIST IN ELECTRICAL
AND DIGITAL BUILDING INFRASTRUCTURES

 **legrand**[®]

Which infrastructure for normal charging?

CHARGING MODE	CHARGING SOLUTIONS	
MODE 1		<p>8 A/10 A max. (according to country)</p>  <p>Scooter, e-bike</p>
MODE 2	<p>SINGLE-PHASE</p>  <p>Electric car</p>	<p>8 A/10 A max. (according to country)</p>  <p>Standard plug</p> <p>Legrand plug</p> <p>Standard plug</p> <hr/> <p>16 A max.</p>  <p>Legrand plug</p>
MODE 3	<p>SINGLE-PHASE</p>  <p>Electric car</p>	<p>Type 2S plug</p> 
	<p>THREE-PHASE</p>  <p>Electric car</p>	<p>Type 2S plug</p> 

	LEGRAND RECOMMENDATIONS	CHARGING TIME for 100 km*
	Non-dedicated conventional socket outlet. NOT RECOMMENDED for electric vehicles	X
Standard socket	Standard plug + dedicated standard socket Limited charge circuit OCCASIONAL	6 hrs
Standard socket	Legrand safety plug + dedicated standard socket Limited charge circuit OCCASIONAL	6 hrs
Green'up Access socket by Legrand	Standard plug + Green'up Access socket by Legrand Safe dedicated access Limited charge circuit PERMITTED	6 hrs
Green'up Access socket by Legrand	Legrand plug + Green'up Access socket by Legrand Safe, dedicated circuit, optimised charging RECOMMENDED	3 hrs
3.7 kW Green'up Premium charging station	Type 2S plug Safe, dedicated circuit, optimised charging RECOMMENDED	3 hrs
7.4 kW Green'up Premium charging station		1 hr 30
11 kW charging station		1 hr
22 kW Green'up Premium charging station		30 min

* Average charging time for a range of 100 km, based on average consumption of 12 kW/h per 100 km. Varies according to the electric car model

Which charging point at home?

2

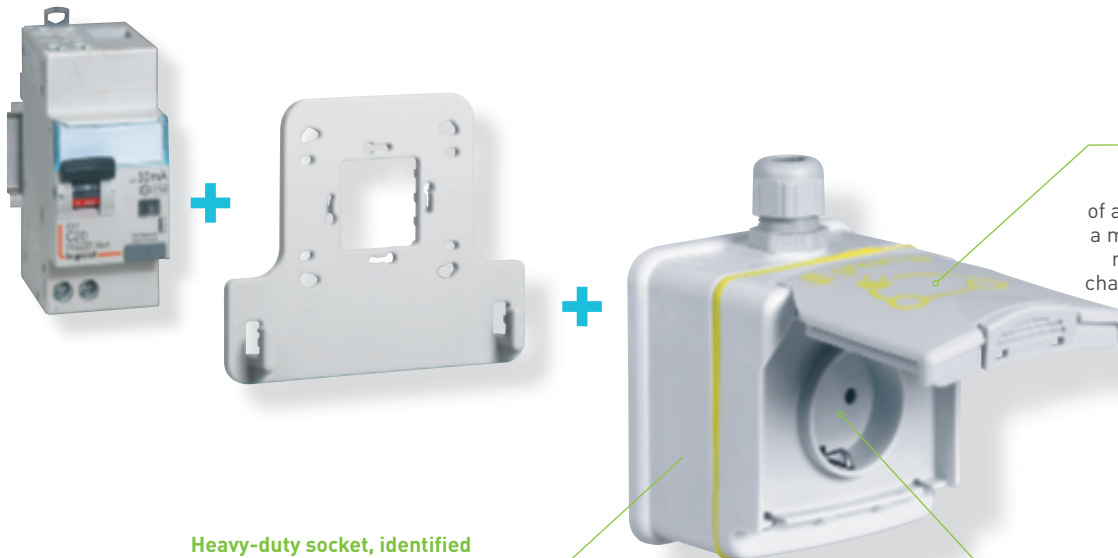
GREEN'UP CHARGING SOLUTIONS

GREEN'UP ACCESS READY TO INSTALL KIT

SOCKET + BRACKET + RCBO

SOLUTION THAT IS INEXPENSIVE, ADAPTABLE AND SAFE

With the Green'up Access socket, Legrand makes it easy to charge vehicles at home. Inexpensive, simple to install, safe, they can also be used for all conventional purposes, and are specially prewired so they can easily be replaced with a mode 3 charging station.



Heavy-duty socket, identified for electric vehicles, also suitable for any application
Conforms to IEC 60884-1

8 to 16 A charging in complete safety
of all electric vehicles with a mode 1 or mode 2 cable, regardless of how much charging power is required by the vehicle



Optimum safety
Surface treatment of metal contacts to improve electrical conductivity

MODE 2

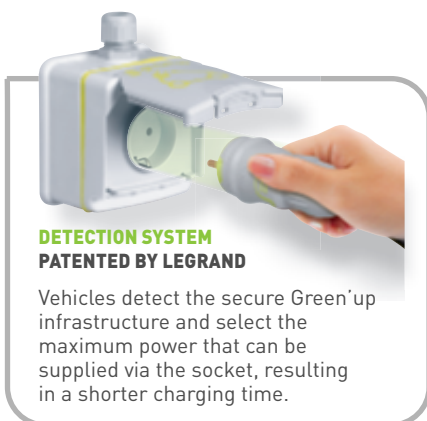
Charging time



IP 55 - IK 08
16 A - 3.7 kW
single-phase

Supplied with bracket and RCBO

Line protected by RCBO



DETECTION SYSTEM PATENTED BY LEGRAND

Vehicles detect the secure Green'up infrastructure and select the maximum power that can be supplied via the socket, resulting in a shorter charging time.



WHEN I'M AT HOME,
I CAN CHARGE MY
ELECTRIC VEHICLE IN
COMPLETE SAFETY

[1] 3 hrs with Legrand coupler, 6 hrs with non-Legrand coupler
Average charge for a range of 100 km, varies according to the model.

GREEN'UP PREMIUM CHARGING STATION

SOLUTION WHICH ALLOWS CHARGING TO BE CONTROLLED LOCALLY OR REMOTELY

The Green'up Premium charging station is used for charging vehicles in mode 2 and mode 3. With its native Bluetooth connection it can be used to control charging locally via the EV CHARGE application. When connected to the IP or Wi-Fi network with the communication kit (optional), it allows remote control from a smartphone, tablet computer or PC.



Delayed start: 3, 6 or 9 hours
Option of delaying start by 3, 6 or 9 hours. For charging during the cheap rate period.

For any electric vehicle model
Green'up Access heavy-duty socket for charging in mode 2 and for all applications

Volt-free contact input
For external control of the charging station (time switch, contactor, etc)

MODE 2
MODE 3 COMMUNICATING

Charging time



Single-phase Three-phase

IP 44 - IK 08
3.7/7.4 kW/22 kW
single-phase and
three-phase

Line protected by
RCBO.
Wiring diagrams
p. 18-21

For any electric vehicle model
Shuttered T2S EV Plug socket for mode 3 charging.



THANKS TO THE EV CHARGE APP, I CAN CONTROL CHARGING FROM MY TABLET COMPUTER, MY SMARTPHONE OR MY PC



MANAGING CHARGING

1 STANDARD (USING BLUETOOTH WITH EV CHARGE)

- Peak/Off-peak hours override
- Programmable daily charging and power management
- Viewing consumption of the last charge
- Software update



2 WITH COMMUNICATION KIT (OPTIONAL OR INCLUDED, DEPENDING ON THE RANGE)

- Remote control of charging
- Weekly monitoring of consumption (via Wi-Fi router or RJ 45)
- Management via the EV CHARGE app



[1] Average time for full charge according to manufacturer sources, varies according to the model

Which charging point in collective housing and private commercial sector

4

GREEN'UP CHARGING SOLUTIONS

IK10 GREEN'UP ACCESS SOCKET

SOCKET + BRACKET

RUGGED, INEXPENSIVE AND SCALABLE SOLUTION FOR EXPOSED LOCATIONS

With its IK 10 protection giving it excellent resistance to harsh environments, the Green'up Access socket is perfect for use in public car parks and lock-ups. Inexpensive, simple to install, safe, it can also be used for all conventional purposes, and is specially prewired so it can easily be replaced with a mode 3 charging station.

MODES 1 & 2

Charging time



IP 55 - IK 10
16 A - 3.7 kW
single-phase

Supplied with bracket
Available with
lockable flap

Line protected by
RCBO.
Wiring diagram
p. 13

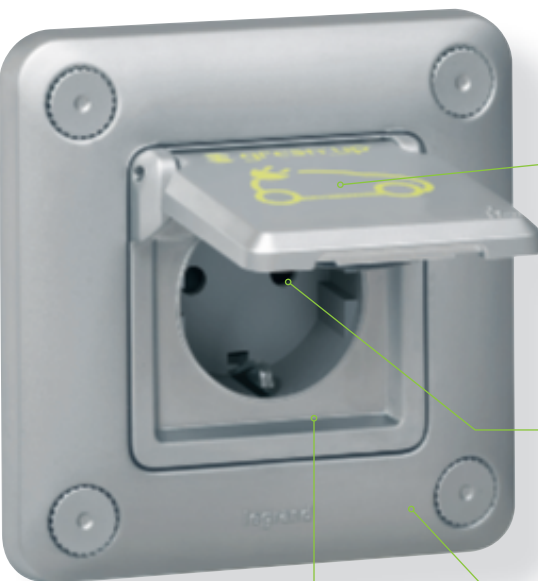
8 to 16 A charging in complete safety
of all electric vehicles with a mode 1
or mode 2 cable, regardless of how
much charging power is required
by the vehicle



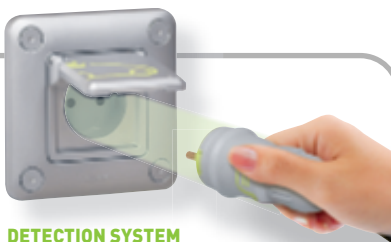
Optimum safety
Surface treatment of metal contacts to
improve electrical conductivity



Flush mounting or surface
mounting with frame



**Heavy-duty socket, identified
for electric vehicles, also
suitable for any application**
Conforms to IEC 60884-1



DETECTION SYSTEM PATENTED BY LEGRAND

Vehicles detect the secure Green'up
infrastructure and select the
maximum power that can be
supplied via the socket, resulting
in a shorter charging time.



“

I CAN PARTIALLY
RECHARGE MY ELECTRIC
CAR IN A PUBLIC CAR
PARK WHILE HAVING
LUNCH WITH FRIENDS

[1] 3 hrs with Legrand coupler, 6 hrs with non-Legrand coupler
Average charge for a range of 100 km, varies according to the model.

GREEN'UP PREMIUM IK 10 CHARGING STATION

SOLUTION FOR COMPANY CAR PARKS

Floor standing or wall mounting, shock-resistant, the Green'up Premium IK 10 charging station is ideal for vehicle fleets. A card reader (optional) can be used to unlock the charging station by identifying the employee and keeps a tally of the electricity used via a web page.



For any electric vehicle model

Green'up Access heavy-duty socket for charging in mode 2 and for all applications

For any electric vehicle model

Shuttered T2S EV Plug socket for mode 3 charging.



Optional card reader

Unlocks the charging station and can keep a tally of the electricity used

Secure access

Charging station locked/unlocked via the EV CHARGE app



MODES 1 & 2

MODE 3
COMMUNICATING

Charging time



Single-phase Three-phase

IP 55 - IK 10
3.7 kW single-phase
to 22 kW three-phase

Line protected by RCBO.
Wiring diagrams p. 18-21



MEDIUM POWER BUSBAR TRUNKING MS 63/100/160 A

In covered car parks and garages, provides the ideal power distribution for Green'up Premium charging stations.



IN THE CAR PARK AT MY PLACE OF WORK OR MY SHARED OWNERSHIP PROPERTY, IT'S SIMPLICITY ITSELF TO IDENTIFY MYSELF AND CHARGE MY ELECTRIC CAR.

MANAGING CHARGING

1 STANDARD (USING BLUETOOTH WITH EV CHARGE)

- Locking with Bluetooth
- Programmable daily charging and power management
- Software update



2 WITH COMMUNICATION KIT (OPTIONAL OR INCLUDED, DEPENDING ON THE RANGE)

- Remote control of charging
- Card-operated access control with RFID reader
- A bank of charging stations can be managed via a web server
- Consumption history



[1] Average time for full charge in mode 3 according to manufacturer sources, varies according to the model

Which charging point in commercial areas with public access (shopping centres, public car parks, etc)

6

GREEN'UP CHARGING SOLUTIONS



“

IN THE CAR PARK,
MY CARD ALLOWS
ME TO USE THE
CHARGING STATION.
I CAN CHARGE MY
CAR WHILE DOING
MY SHOPPING

THREE-PHASE GREEN'UP PREMIUM IK 10 CHARGING STATION

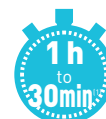
INTEROPERABLE CHARGING STATION FOR EASE OF MANAGEMENT OCPP-COMPATIBLE CHARGING STATION

It can be controlled by a charging network operator: the Green'Up Premium charging station is easily integrated in the car park manager's billing system.

Payment for the electricity used can be added to the cost of parking in the space.

MODE 2
MODE 3 COMMUNICATING

Charging time



IP 55 - IK 10
adjustable from 11 to 22 kW
three-phase

Line protected by
RCBO.
Wiring diagrams
p. 18-21

Charging station can communicate on IP network

Compatible with existing operating systems (Modbus, OCPP)



For any electric vehicle model

Green'up Access heavy-duty socket for charging in mode 2 and for all applications

For any electric vehicle model

Shuttered T2S EV Plug socket for mode 3 charging.



RFID encoder reader identification system built into the charging station which can activate sockets (optional)

Space available for installing modular protection in the base



CHARGE 2 VEHICLES AT THE SAME TIME

One type 2S socket and one Green'up Access socket on each side of the charging station



MANAGING CHARGING

BECOMES 100% COMMUNICATING WITH THE COMMUNICATION KIT (OPTIONAL)

- Supervision and parameter setting in IP on web page
- Modbus and OCPP-compatible charging station (Open Charge Point Protocol)
- Managed with RFID reader

(1) Average time for full charge in mode 3 according to manufacturer sources, varies according to the model

Green'up Premium charging stations

Which solutions for identifying, measuring, controlling?



MANAGING WITH AN APP

Access control and control via the EV CHARGE app: monitoring charging and option of locking the charging station via the app (making it unusable by third parties who are not using the customer account), monitoring and display of consumption. Charging programmed via the app for optimised consumption management. Software update via the app.



CARD-OPERATED ACCESS CONTROL

Green'up Premium charging stations can be integrated in the building's access control system. The charging station is locked and a personal ID card is needed to dispense electricity.



Consumption measurement

One electricity meter per charging station

MODBUS
RS 485




An IP converter, electricity meter and protection devices can be integrated in the base of the charging station. For charging stations without a base, tap-off boxes can be installed nearby.

IP PROTOCOL


Green'up Premium charging station with communication kit






Web server
Used to display consumption on any type of screen equipped with a browser: PC, smartphone, tablet computer, TV, etc

Supervision software
For displaying measurement on a PC

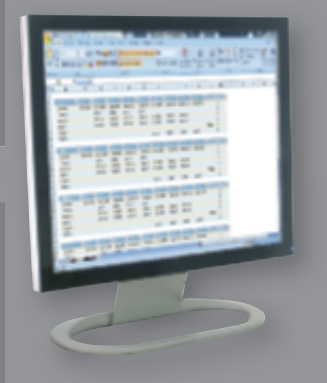


On a PC: view the charging station operating status, measure electricity consumption, optimise available energy (control charging by dividing energy between the different charging stations).

**MEASUREMENT AND DISPLAY
I COMMUNICATING
+ CONTROL OF CHARGING**



COMMUNICATION KIT WITH USER ACCESS CONTROL (MIFARE RFID)

















On a PC: web page
Record charging sessions by charging station (consumption, number of cards, etc) on electronic files

**100% CONNECTED
MEASUREMENT AND CONTROL
OF CHARGING**

Green'up™ sockets and charging stations

for electric vehicles and plug-in hybrids

		IP	IK	Charging mode	Power (kW)	Number of charging points	Wall mounting	Free standing	Options		Average charging time (in hours) depending on the vehicle and battery type		
									Communication kit	RFID reader (Used with communication kit Cat.No 0 590 56)	Vehicle battery capacity		
											15/16 kW/h	22/24 kW/h	30/32 kW/h
SINGLE-PHASE SOCKETS - 230 V													
	Plastic	55	08	Mode 2 	3.7	1	0 904 70 ⁽¹⁾ 0 904 72	-	-	-	5 ⁽²⁾	7 ⁽²⁾	-
	Metal	55	10	Mode 2 	3.7	1	0 778 56	-	-	-	5 ⁽²⁾	7 ⁽²⁾	-
	Metal with key	55	10			1	0 778 57	-	-	-	5 ⁽²⁾	7 ⁽²⁾	-
SINGLE-PHASE CHARGING STATIONS - 230 V													
	Plastic	44	08	Mode 3 	3.7 / 4.6	1	0 590 00	0 590 00 + 0 590 52	0 590 56	-	4	6	8
					7.4	1	0 590 01	0 590 01 + 0 590 52	0 590 56	-	2.5	3.5	4.5
	Plastic	44	08	Modes 2 and 3 	3.7 / 4.6	1	0 590 30	0 590 30 + 0 590 52	0 590 56	-	4	6	8
					7.4	1	0 590 35	0 590 35 + 0 590 52	0 590 56	-	2.5	3	4.5
	Metal	55	10	Modes 2 and 3 	3.7 / 4.6	1	0 590 41 + 0 590 53	0 590 41 + 0 590 54	0 590 56	0 590 59 + 0 590 56	4	6	8
						2	0 590 42 + 0 590 53	0 590 42 + 0 590 54	0 590 56	0 590 59 + 0 590 56	4	6	8
		55	10		1	0 590 43 + 0 590 53	0 590 43 + 0 590 54	0 590 56	0 590 59 + 0 590 56	2.5	3	4.5	
					2	0 590 44 + 0 590 53	0 590 44 + 0 590 54	0 590 56	0 590 59 + 0 590 56	2.5	3	4.5	
THREE-PHASE CHARGING STATIONS - 400 V													
	Plastic	44	08	Mode 3 	22	1	0 590 02	0 590 02 + 0 590 52	0 590 56	-	1	1	2
	Metal	55	10	Modes 2 and 3 	22	1	0 590 48 + 0 590 53	0 590 48 + 0 590 54	0 590 56	0 590 59 + 0 590 56	1	1	2
						2	0 590 49 + 0 590 53	0 590 49 + 0 590 54	0 590 56	0 590 59 + 0 590 56	1	1	2

1: Ready to install version, supplied with RCBO

2: For vehicles with cable equipped with Legrand Green'up plug

Green'up™ sockets and charging stations with integrated DC protection

for electric vehicles and plug-in hybrids

	IP	IK	Charging mode	Power (kW)	Number of charging points	Wall mounting	Free standing	Options		Average charging time (in hours) depending on the vehicle and battery type			
								Communication kit	RFID reader (Used with communication kit Cat.No 0 590 56)	Vehicle battery capacity			
										15/16 kW/h	22/24 kW/h	30/32 kW/h	
SINGLE-PHASE CHARGING STATIONS - 230 V													
	Plastic	44	08	Mode 3	3.7 / 4.6	1	0 580 00	0 580 00 + 0 590 52	0 590 56	-	4	6	8
							0 580 05	0 580 00 + 0 590 52	embedded	embedded	4	6	8
					7.4	1	0 580 01	0 580 01 + 0 590 52	0 590 56	-	2.5	3.5	4.5
							0 590 06	0 580 06 + 0 590 52	embedded	embedded	2.5	3.5	4.5
	Plastic	44	08	Modes 2 and 3	3.7 / 4.6	1	0 580 30	0 580 30 + 0 590 52	0 590 56	-	4	6	8
							0 590 70	0 590 70 + 0 590 52	embedded	embedded	4	6	8
					7.4	1	0 580 35	0 580 35 + 0 590 52	0 590 56	-	2.5	3	4.5
							0 590 71	0 590 71 + 0 590 52	embedded	embedded	2.5	3	4.5
	Metal	55	10	Modes 2 and 3	3.7 / 4.6	1	0 580 41	0 580 41 + 0 590 54	0 590 56	0 590 59 + 0 590 56	4	6	8
							0 580 42	0 580 42 + 0 590 54	0 590 56	0 590 59 + 0 590 56	4	6	8
		7.4	1		0 580 43	0 580 43 + 0 590 54	0 590 56	0 590 59 + 0 590 56	2.5	3	4.5		
					0 580 44	0 580 44 + 0 590 54	0 590 56	0 590 59 + 0 590 56	2.5	3	4.5		
THREE-PHASE CHARGING STATIONS - 400 V													
	Plastic	44	08	Mode 3	22	1	0 580 02	0 580 02 + 0 590 52	0 590 56	-	1	1	2
							0 590 07	0 590 07 + 0 590 52	embedded	embedded	1	1	2
	Metal	55	10	Modes 2 and 3	22	1	0 580 48	0 580 48 + 0 590 54	0 590 56	0 590 59 + 0 590 56	1	1	2
							0 580 49	0 580 49 + 0 590 54	0 590 56	0 590 59 + 0 590 56	1	1	2

1: Ready to install version, supplied with RCBO
 2: For vehicles with cable equipped with Legrand Green'up plug

Green'up™ Access ready to install kit

for electric vehicle charging



The Green'up system is based on an innovative Legrand technology, activating "maximum power" mode and ensuring a secure and fast charging process.



0 904 70

Complete solution:
Mode 2 socket + RCBO



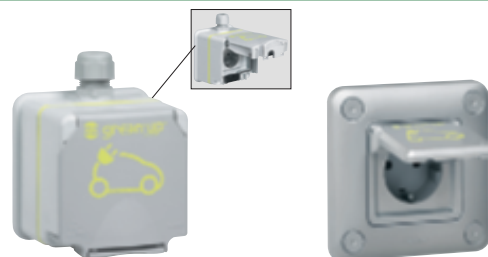
Installation principle **p. 13**
Dimensions **p. 13**

Ready to install kit - 16 A EV

Pack	Cat.Nos	Ready to install kit - 16 A EV
1	0 904 70	Allows creating a safe infrastructure for electric and hybrid vehicle charging, using Mode 2 (or Mode 1) charging cables. Suitable for residential and workplace use Power supply directly from the electrical panel: 1 dedicated line 3 x 2.5 mm ² cable, protected with one RCBO (one line per socket) The kit contains: - 1 heavy duty German standard Green'up Access plastic socket, with flap cover, IP 55 - IK 08 - 16 A - 230 V - 16 A EV, 6 mm ² screw terminals, according to IEC 60884-1, NF C 61-314, VDE 620-1 - 1 base for hanging up the vehicle charging cable control box - 1 RCBO 20 A, C curve, 30 mA, Hpi type Cat.No 4 107 54 The use of a surge protective device is recommended Recommended installation height: between 0.80 and 1.20 m from the floor

Green'up™ Access sockets

16 A - 230 V - 16 A EV - for electric vehicles



0 904 72


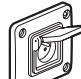
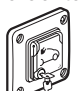
0 778 56



Installation principle **p. 13**
Dimensions **p. 13**

Used for safely charging rechargeable electric and hybrid vehicles which take Mode 2 cord (compatible with Mode 1)
Connected to the consumer panel via one 3 x 2.5 mm² dedicated line (1 line per socket) protected by 30 mA - 20 A C curve, type A or HPI RCBO (or 30 mA type A or HPI RCCB + 20 A C curve circuit breaker)
Recommended installation height: 1.30 m from the floor
Suitable for residential and workplace use

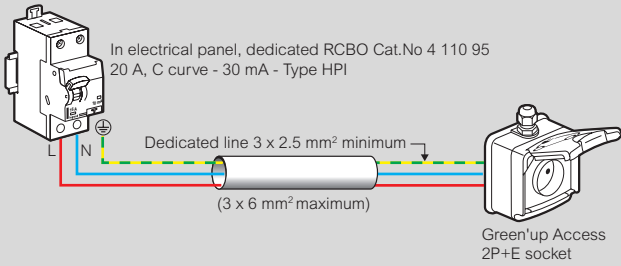
Pack Cat.Nos Mode 1 and Mode 2 sockets - 16 A EV

Pack	Cat.Nos	Mode 1 and Mode 2 sockets - 16 A EV
1	0 904 72	Heavy-duty mechanisms with silvered contacts Single-phase sockets - screw connection - 230 V Supplied with base Cat.No 0 904 78 for hanging up the vehicle charging cable control box For charging 1 vehicle Conform to IEC 60-884-1 IP 55 - IK 08 surface-mounting Suitable for installation in private houses Plastic socket with flap cover Supplied complete with surface mounting box fitted with an ISO 20 cable gland Dimensions (H x W x D): 98 x 98 x 70 mm (exc. cable gland) German standard socket outlet 
1	0 778 56	IP 55 - IK 10 flush-mounting - metal socket Suitable for installation in private houses, lock-up garages, parking lots, etc Supplied complete with plate and support Mounting in 1-gang Batibox flush-mounting box depth 50 mm Can be surface mounted with box Cat.No 0 778 90 Dimensions (H x W x D): 110 x 110 x 13.5 mm German standard socket outlet 
1	0 778 57	IP 55 - IK 10 flush-mounting - metal socket with locked flap cover Suitable for installation in private houses, lock-up garages, parking lots, etc Supplied complete with plate and support Mounting in 1-gang Batibox flush-mounting box depth 50 mm Can be surface mounted with box Cat.No 0 778 90 Dimensions (H x W x D): 110 x 110 x 13.5 mm Supplied complete with a unique set of 2 keys in order to restrict access to the socket German standard socket outlet 

Green'up™ Access sockets

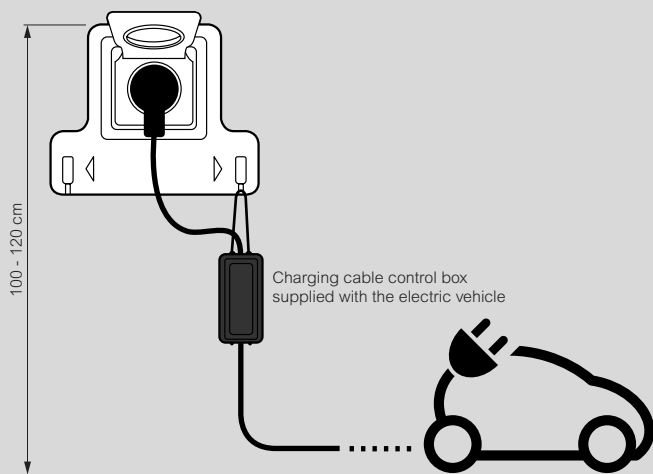


Installation principle for an individual Mode 2 socket



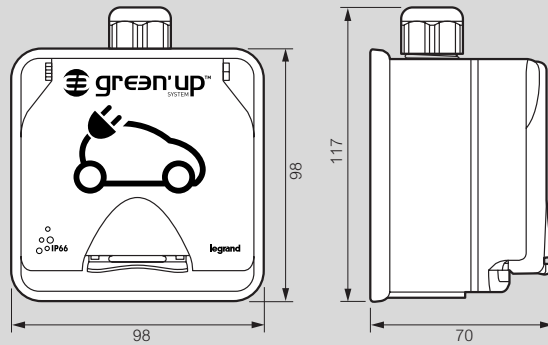
- Can be controlled by clock/switch type control units, etc. (to be ordered separately)
- Use of a surge protective device is recommended

Use of bracket Cat.No 0 904 78

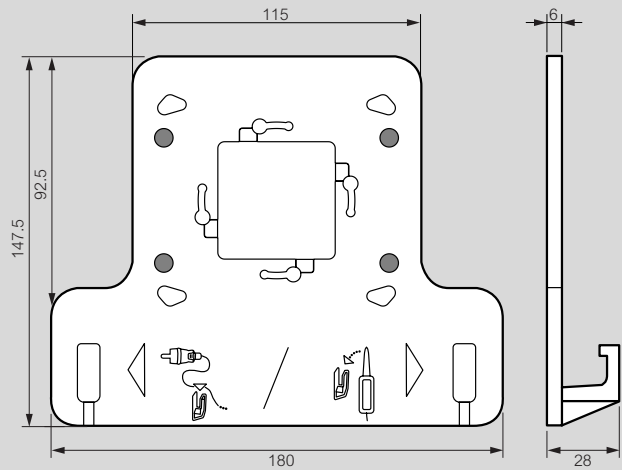


Dimensions

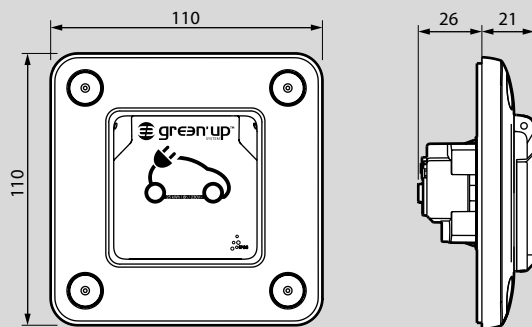
Cat.No 0 904 72



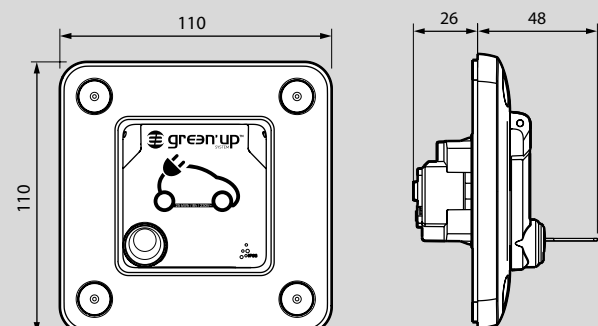
Cat.No 0 904 78



Cat.No 0 778 56



Cat.No 0 778 57



Green'up™ Premium charging stations

for electric vehicle charging



Technical characteristics and wiring diagrams **p. 18 and 19**
Dimensions **(p. 22 and 23)**

For charging all electric vehicles (equipped with single-phase and three-phase chargers) and plug-in hybrids in Mode 2 or Mode 3 in complete safety. Compliant with standards IEC 61851-1 and 61851-22.

Charging station power can be adjusted with adapted protection devices and power supply circuits. Local wireless communication via embedded Bluetooth for configuration and control of charging station via smartphone or tablet using the IOS or Android compatible app.

Available functions: changing station status, daily charging program, charging station activation/deactivation, power management, firmware updates. Application additional functions: weekly charging program, consumption monitoring with cloud storage for data, status notification. Remote wireless IP communication with communication kit Cat.No 0 590 56.

Equipped with:

- a 2P+E socket with Green'up Access safety shutter featuring the innovative Green'up system, a Legrand Group technology which activates "maximum power" mode, ensuring fast, safe charging for 2P+E plugs (Mode 2)⁽²⁾
- a 3P+N+E (T2S) Type 2 socket with blanking plates (single-phase or three-phase operation) with pilot wire (Mode 3).

Connected and protected from the electrical panel via 1 protected dedicated line (2 dedicated lines for 2-vehicle charging station).
Off-peak control option via contactor, clock and switch (volt-free contact input 12 V_~).

Remote ON/OFF control option (volt-free contact input 12 V_~).

Pack Cat.Nos Plastic single-phase charging stations - Mode 3

Pack	Cat.Nos	Description
1	0 590 00	IP 44 - IK 08 Wall mounting charging stations to be equipped with pedestal Cat.No 0 590 52 for fixing to the ground 3,7/4,6 kW - 16/20 A For charging 1 vehicle
1	0 590 01	7,4 kW - 32 A Power adjustment option: - 3,7/4,6/5,7/7,4 kW - 16/20/25/32 A For charging 1 vehicle

Pack Cat.Nos Plastic single-phase charging stations - Modes 2 and 3

Pack	Cat.Nos	Description
1	0 590 30	IP 44 - IK 08 Wall mounting charging stations to be equipped with pedestal Cat.No 0 590 52 for fixing to the ground 3,7/4,6 kW - 16/20 A For charging 1 vehicle
1	0 590 35	7,4 kW - 32 A Power adjustment option: - 3,7/4,6/5,7/7,4 kW - 16/20/25/32 A For charging 1 vehicle

Pack Cat.Nos Metal single-phase charging stations - Modes 2 and 3

Pack	Cat.Nos	Description
1	0 590 41	IP 55 - IK 10 Must be equipped with the following for: - wall mounting version: a mounting kit supplied with a metal front cover Cat.No 0 590 53 - free standing version: a pedestal supplied with a metal front cover Cat.No 0 590 54 3,7/4,6 kW - 16/20 A For charging 1 vehicle
1	0 590 42	For charging 2 vehicles simultaneously

Pack Cat.Nos Metal single-phase charging stations - Modes 2 and 3 (continued)

Pack	Cat.Nos	Description
1	0 590 43	7,4 kW - 32 A Power adjustment option: - 3,7/4,6/5,7/7,4 kW - 16/20/25/32 A For charging 1 vehicle
1	0 590 44	For charging 2 vehicles simultaneously

Pack Cat.Nos Plastic three-phase charging station - Mode 3

Pack	Cat.Nos	Description
1	0 590 02	IP 44 - IK 08 Wall mounting charging station to be equipped with pedestal Cat.No 0 590 52 for fixing to the ground 22 kW - 32 A Power adjustment option: - 11/15/18/22 kW - 16/20/25/32 A For charging 1 vehicle

Pack Cat.Nos Metal three-phase charging stations - Modes 2 and 3

Pack	Cat.Nos	Description
1	0 590 48	IP 55 - IK 10 Must be equipped with the following for: - wall mounting version: a wall mounting kit supplied with a metal front cover Cat.No 0 590 53 - free standing version: a mounting pedestal supplied with a metal front cover Cat.No 0 590 54 22 kW - 32 A Power adjustment option: - 11/15/18/22 kW - 16/20/25/32 A For charging 1 vehicle
1	0 590 49	For charging 2 vehicles simultaneously

1: Charging stations compliant with ZE Ready 1.2 and EV Ready specifications for construction regulations applicable to these products. ZE Ready and EV Ready are registered trademarks of Renault.

2: For vehicles with cable equipped with Legrand Green'up plug

Green'up™ Premium charging stations

equipment for wall mounting or fixing to the ground



0 590 52

Dimensions (p. 22 and 23)

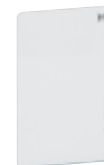
Pack	Cat.Nos	Equipment for mounting charging stations on the wall or fixing to the ground
1	0 590 52	For plastic charging stations Pedestal for fixing plastic charging stations to the ground Option to integrate Plexo ³ boxes Cat.No 0 019 04/06/08(4 to 16 modules) for the protection devices
1	0 590 53	For metal charging stations Wall mounting kit with metal front cover
1	0 590 54	Pedestal for fixing metal charging stations to the ground Supplied with metal front cover Option to integrate protection devices on plates or rail chassis (dimensions equivalent to Atlantic box 600 x 400 mm)

Green'up™ Premium charging stations

communication options




Identification via RFID badge
0 590 59 + 0 590 56



0 767 11



Pack	Cat.Nos	Communication kit
1	0 590 56	For controlling functions embedded in the charging station and configuring the charging station remotely from a smartphone or PC via IP (RJ 45) or Wi-Fi Access control: for association with centralised readers Cat.No 0 767 04 or standalone readers via the Wiegand protocol IP communication For connecting the charging station to the installation's IP network and ensuring its compatibility with the following protocols: - OCPP 1.6 and 2.0 - MODBUS RS 485 (one MODBUS address per single charging station and two MODBUS addresses per double charging station)
1	0 590 59	RFID reader RFID system (identification via RFID badge, integrated RFID encoder reader) available on metal charging stations with communication kit Cat.No 0 590 56 Supplied with 1 badge to be activated Additional badges to be ordered separately ISO format Mifare Classic technology Cat.No 0 767 11/12/13
1	0 767 11	13.56 MHz badges for badge readers ISO format badges Dim. 50 x 80 mm  13.56 MHz Mifare contactless badge
1	4 149 47	Energy management multi-support web servers Allow remote configuration, test, control and visualization, via a web browser on PCs, smartphones, web viewers, tablet computers, of data collected from: protection devices (DX ³ add-on modules with integrated measurement control unit, DPX ³ and DMX ³), EMDX ³ electricity meters and multi-function measuring units, CX ³ energy management system and Green'up charging stations for electric vehicles. Direct IP connection rail mounting Power supply: 9 to 28 V = with the help of a single-phase switching mode power supply Cat.No 1 467 21 (see Legrand general catalog) to be ordered separately
1	4 149 48	For 10 Modbus addresses or 10 pulse modules
1	4 149 49	For 32 Modbus addresses or 32 pulse modules
1	4 149 49	Fixing on plate For 255 Modbus addresses or 255 pulse modules

Number of modules
4
4

Green'up™ Premium charging stations with integrated DC protection

for electric vehicle charging



Technical characteristics and wiring diagrams **p. 20 and 21**
Dimensions **(p. 22 and 23)**

For charging all electric vehicles (equipped with single-phase and three-phase chargers) and plug-in hybrids in Mode 2 or Mode 3 in complete safety. Compliant with standards IEC 61851-1 and 61851-22.

Charging station power can be adjusted with adapted protection devices and power supply circuits. Local wireless communication via embedded Bluetooth for configuration and control of charging station via smartphone or tablet using the IOS or Android compatible app.

Available functions: changing station status, daily charging program, charging station activation/deactivation, power management, firmware updates. Application additional functions: weekly charging program, consumption monitoring.

Remote wireless IP communication with communication kit Cat.No 0 590 56.

Equipped with:

- a 2P+E socket with Green'up Access safety shutter featuring the innovative Green'up system, a Legrand Group technology which activates "maximum power" mode, ensuring fast, safe charging for 2P+E plugs (Mode 2)(2)

- a 3P+N+E (T2S) Type 2 socket with blanking plates (single-phase or three-phase operation) with pilot wire (Mode 3).

Integrated protection : 6 mA =

Connected and protected from the electrical panel via 1 protected dedicated line (2 dedicated lines for 2-vehicle charging station).

Off-peak control option via contactor, clock and switch (volt-free contact input 12 V_~).

Remote ON/OFF control option (volt-free contact input 12 V_~).

Pack Cat.Nos Plastic single-phase charging stations - Mode 3

IP 44 - IK 08
Wall mounting charging stations to be equipped with pedestal Cat.No 0 590 52 for fixing to the ground

1 0 580 00 **3,7/4,6 kW - 16/20 A**
For charging 1 vehicle

1 0 580 01 **7,4 kW - 32 A**
Power adjustment option:
- 3.7/4.6/5.7/7.4 kW
- 16/20/25/32 A
For charging 1 vehicle

Pack Cat.Nos Plastic single-phase charging stations - Modes 2 and 3

IP 44 - IK 08
Wall mounting charging stations to be equipped with pedestal Cat.No 0 590 52 for fixing to the ground

1 0 580 30 **3,7/4,6 kW - 16/20 A**
For charging 1 vehicle

1 0 580 35 **7,4 kW - 32 A**
Power adjustment option:
- 3.7/4.6/5.7/7.4 kW
- 16/20/25/32 A
For charging 1 vehicle

Pack Cat.Nos Metal single-phase charging stations - Modes 2 and 3

IP 55 - IK 10
Must be equipped with the following for:
- wall mounting version: a mounting kit supplied with a metal front cover Cat.No 0 590 53
- free standing version: a pedestal supplied with a metal front cover Cat.No 0 590 54

1 0 580 41 **3,7/4,6 kW - 16/20 A**
For charging 1 vehicle
1 0 580 42 For charging 2 vehicles simultaneously

Pack Cat.Nos Metal single-phase charging stations - Modes 2 and 3 (continued)

7.4 kW - 32 A

Power adjustment option:

- 3.7/4.6/5.7/7.4 kW
- 16/20/25/32 A

1 0 580 43 For charging 1 vehicle
1 0 580 44 For charging 2 vehicles simultaneously

Pack Cat.Nos Plastic three-phase charging station - Mode 3

IP 44 - IK 08
Wall mounting charging station to be equipped with pedestal Cat.No 0 590 52 for fixing to the ground

1 0 580 02 **22 kW - 32 A**
Power adjustment option:
- 11/15/18/22 kW
- 16/20/25/32 A
For charging 1 vehicle

Pack Cat.Nos Metal three-phase charging stations - Modes 2 and 3

IP 55 - IK 10
Must be equipped with the following for:
- wall mounting version: a wall mounting kit supplied with a metal front cover Cat.No 0 590 53
- free standing version: a mounting pedestal supplied with a metal front cover Cat.No 0 590 54

1 0 580 48 **22 kW - 32 A**
Power adjustment option:
- 11/15/18/22 kW
- 16/20/25/32 A
For charging 1 vehicle
1 0 580 49 For charging 2 vehicles simultaneously

1: Charging stations compliant with ZE Ready 1.2 and EV Ready specifications for construction regulations applicable to these products. ZE Ready and EV Ready are registered trademarks of Renault.

2: For vehicles with cable equipped with Legrand Green'up plug

Green'up™ Premium charging stations with integrated DC protection and RFID reader for electric vehicle charging



Technical characteristics and wiring diagrams **p. 20 and 21**
Dimensions **(p. 22 and 23)**

For charging all electric vehicles (equipped with single-phase and three-phase chargers) and plug-in hybrids in Mode 2 or Mode 3 in complete safety. Compliant with standards IEC 61851-1 and 61851-22.

Charging station power can be adjusted with adapted protection devices and power supply circuits. Local wireless communication via embedded Bluetooth for configuration and control of charging station via smartphone or tablet using the IOS or Android compatible app.

Available functions: changing station status. daily charging program. charging station activation/deactivation. power management. firmware updates.

Application additional functions: weekly changing program. consumption monitoring.

Integrated communication kit for remote wireless IP communication.

Integrated RFID encoder reader for identification via RFID badge and communication kit for remote management by CPO.

Equipped with:

- a 2P+E socket with Green'up Access safety shutter featuring the innovative Green'up system. a Legrand Group technology which activates "maximum power" mode. ensuring fast. safe charging for 2P+E plugs (Mode 2)⁽²⁾

- a 3P+N+E (T2S) Type 2 socket with blanking plates (single-phase or three-phase operation) with pilot wire (Mode 3).

Integrated protection : 6 mA =

Connected and protected from the electrical panel via 1 protected dedicated line (2 dedicated lines for 2-vehicle charging station).

Off-peak control option via contactor. clock and switch (volt-free contact input 12 V_~).

Remote ON/OFF control option (volt-free contact input 12 V_~).

Pack	Cat.Nos	Plastic single-phase charging stations - Mode 3
1	0 590 05	IP 44 - IK 08 Wall mounting charging stations to be equipped with pedestal Cat.No 0 590 52 for fixing to the ground 3.7/4.6 kW - 16/20 A For charging 1 vehicle 7.4 kW - 32 A Power adjustment option: - 3.7/4.6/5.7/7.4 kW - 16/20/25/32 A
1	0 590 06	For charging 1 vehicle

Pack	Cat.Nos	Plastic single-phase charging stations - Modes 2 and 3
1	0 590 70	IP 44 - IK 08 Wall mounting charging stations to be equipped with pedestal Cat.No 0 590 52 for fixing to the ground 3.7/4.6 kW - 16/20 A For charging 1 vehicle 7.4 kW - 32 A Power adjustment option: - 3.7/4.6/5.7/7.4 kW - 16/20/25/32 A
1	0 590 71	For charging 1 vehicle

Pack	Cat.Nos	Plastic three-phase charging station - Mode 3
1	0 590 07	IP 44 - IK 08 Wall mounting charging stations to be equipped with pedestal Cat.No 0 590 52 for fixing to the ground 22 kW - 32 A Power adjustment option: - 11/15/18/22 kW - 16/20/25/32 A For charging 1 vehicle

1: Charging stations compliant with ZE Ready 1.2 and EV Ready specifications for construction regulations applicable to these products. ZE Ready and EV Ready are registered trademarks of Renault.

2: For vehicles with cable equipped with Legrand Green'up plug

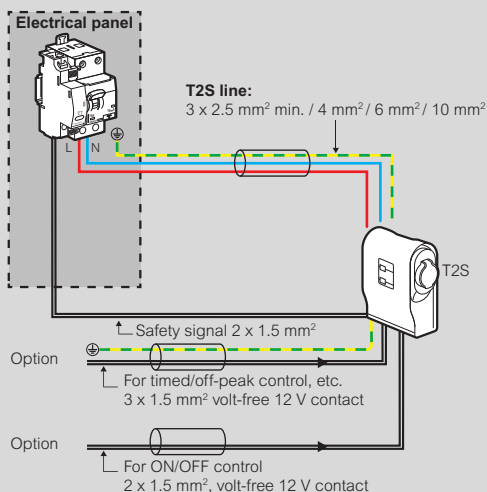
Green'up™ Premium charging stations

for electric vehicle charging

Installation principle

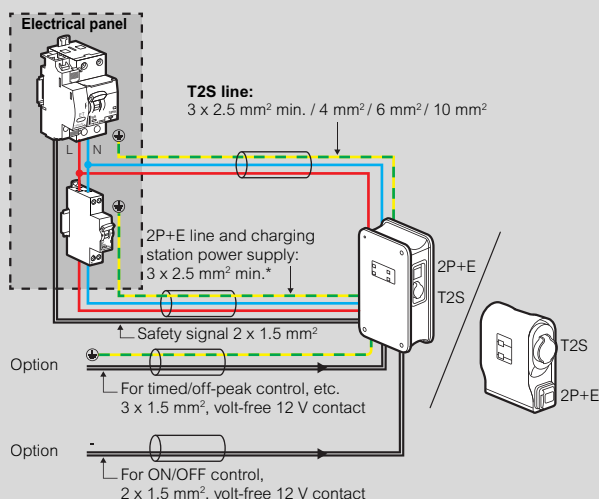
Note: the wiring must be doubled up for a 2-vehicle charging station. The installation of a surge protective device is recommended.

Single-phase charging stations - Mode 3



Cat.No	0 590 00			0 590 01		
Power setting (kW)	3.7	4.6	3.7	4.6	5.8	7.4
Charging station rating (A)	16	20	16	20	25	32
T2S line protection rating	20 A, C curve	25 A, C curve	20 A, C curve	25 A, C curve	32 A, C curve	40 A, C curve
RCD	30 mA Type F (e.g. Hpi)			30 mA Type F (e.g. Hpi)		
T2S line protection RCBO (6000/10 kA)	4 110 95	4 110 96	4 110 95	4 110 96	4 110 97	4 110 98
T2S line csa (mm² minimum)	2.5	4	2.5	4	6	10
Shunt trip / safety signal	4 062 76	4 062 76	4 062 76	4 062 76	4 062 76	4 062 76

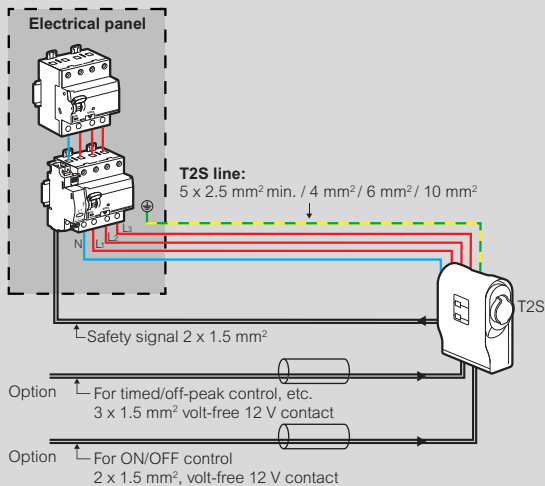
Single-phase charging stations - Modes 2 and 3



Cat.No	0 590 30			0 590 35		
Power setting (kW)	3.7	4.6	3.7	4.6	5.8	7.4
Charging station rating (A)	16	20	16	20	25	32
T2S protection rating	20 A, C curve	25 A, C curve	20 A, C curve	25 A, C curve	32 A, C curve	40 A, C curve
RCD	30 mA Type F (e.g. Hpi)			30 mA Type F (e.g. Hpi)		
T2S line protection RCBO (6000/10 kA)	4 110 95	4 110 96	4 110 95	4 110 96	4 110 97	4 110 98
T2S csa (mm² minimum)	2.5	4	2.5	4	6	10
Shunt trip / safety signal	4 062 76	4 062 76	4 062 76	4 062 76	4 062 76	4 062 76
2P+E line protection rating	No 2P+T line	20 A, C curve	No 2P+T line	20 A, C curve	20 A, C curve	20 A, C curve
2P+E line protection circuit breaker (6000/10 kA)	No 2P+T line	4 077 43	No 2P+T line	4 077 43	4 077 43	4 077 43
2P+E line csa (mm² minimum)	No 2P+T line	2.5	No 2P+T line	2.5	2.5	2.5

* Except for charging stations set at 16 A / 3.7 kW

Three-phase charging stations - Modes 2 and 3



Cat.No	0 590 02			
Power setting (kW)	11	15	18	22
Charging station rating (A)	16	20	25	32
T2S line protection rating	20 A, C curve	25 A, C curve	32 A, C curve	40 A, C curve
RCD	30 mA Type B			
RCCB	4 118 46	4 118 46	4 118 46	4 118 46
T2S line protection MCB (6000/10 kA)	4 079 29	4 079 30	4 079 31	4 079 32
T2S line csa (mm² minimum)	2.5	4	6	10
Shunt trip / safety signal	4 062 76	4 062 76	4 062 76	4 062 76

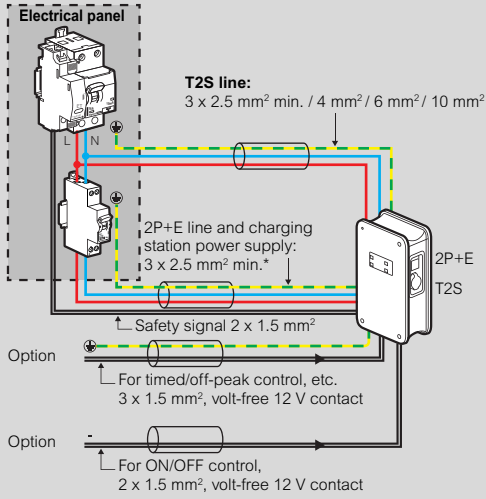
Green'up™ Premium charging stations

for electric vehicle charging (continued)

Installation principle

Note: the wiring must be doubled up for a 2-vehicle charging station. The installation of a surge protective device is recommended.

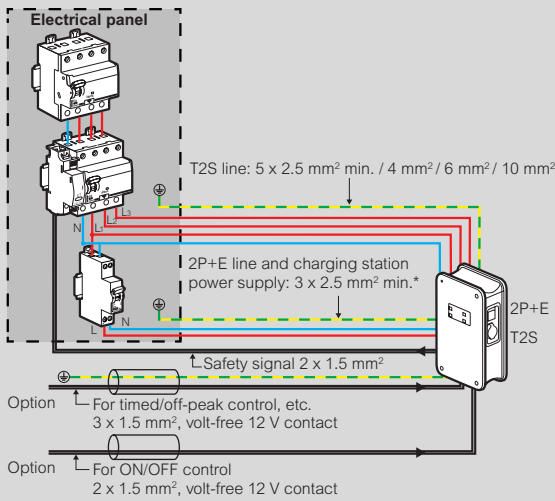
Single-phase charging stations - Modes 2 and 3



* Except for charging stations set at 16 A / 3.7 kW

Cat.No	0 590 41/42		0 590 43/44			
Power setting (kW)	3.7	4.6	3.7	4.6	5.8	7.4
Charging station rating (A)	16	20	16	20	25	32
T2S line protection rating	20 A, C curve	25 A, C curve	20 A, C curve	25 A, C curve	32 A, C curve	40 A, C curve
RCD	30 mA Type F (e.g. Hpl)		30 mA Type F (e.g. Hpl)			
T2S line protection RCBO (6000/10 kA)	4 110 95	4 110 96	4 110 95	4 110 96	4 110 97	4 110 98
T2S line csa (mm² minimum)	2.5	4	2.5	4	6	10
Shunt trip / safety signal	4 062 76	4 062 76	4 062 76	4 062 76	4 062 76	4 062 76
2P+E line protection rating	No 2P+T line	20 A, C curve	No 2P+T line	20 A, C curve	20 A, C curve	20 A, C curve
2P+E line protection circuit breaker (6000/10 kA)	No 2P+T line	4 077 43	No 2P+T line	4 077 43	4 077 43	4 077 43
2P+E line csa (mm² minimum)	No 2P+T line	2.5	No 2P+T line	2.5	2.5	2.5

Three-phase charging stations - Modes 2 and 3



Cat.No	0 590 48/49			
Power setting (kW)	11	15	18	22
Charging station rating (A)	16	20	25	32
Power line protection rating	20 A, C curve	25 A, C curve	32 A, C curve	40 A, C curve
RCD	30 mA Type B	30 mA Type B	30 mA Type B	30 mA Type B
RCCB	4 118 46	4 118 46	4 118 46	4 118 46
Power line protection MCB (6000/10 kA)	4 079 29	4 079 30	4 079 31	4 079 32
Power line csa (mm² minimum)	2.5	4	6	10
Shunt trip / safety signal	4 062 76	4 062 76	4 062 76	4 062 76
2P+E line protection rating	20 A, C curve	20 A, C curve	20 A, C curve	20 A, C curve
2P+E line protection circuit breaker (6000/10 kA)	4 077 43	4 077 43	4 077 43	4 077 43
2P+E line csa (mm² minimum)	2.5	2.5	2.5	2.5

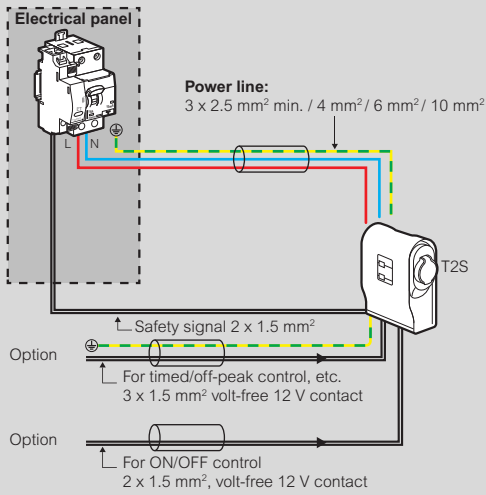
Green'up™ Premium charging stations with integrated DC protection

for electric vehicle charging

Installation principle

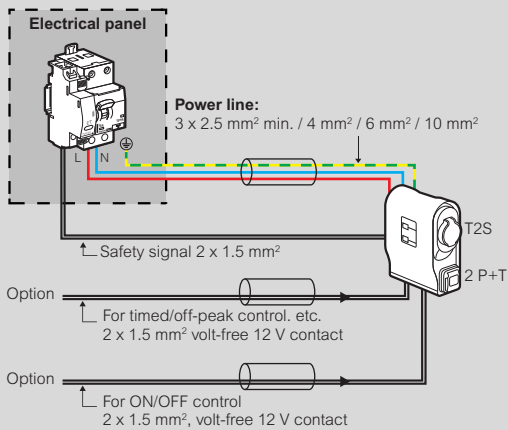
Note: the wiring must be doubled up for a 2-vehicle charging station. The installation of a surge protective device is recommended.

Single-phase charging stations - Mode 3



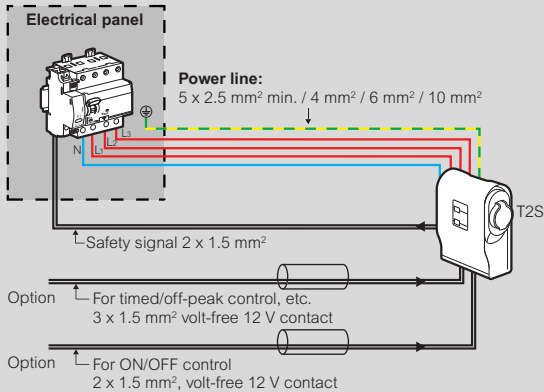
Cat.No	0 580 00 / 0 590 05		0 580 01 / 0 590 06			
Power setting (kW)	3.7	4.6	3.7	4.6	5.8	7.4
Charging station rating (A)	16	20	16	20	25	32
Power line protection rating	20 A, C curve	25 A, C curve	20 A, C curve	25 A, C curve	32 A, C curve	40 A, C curve
RCD	30 mA Type F (e.g. Hpi)		30 mA Type F (e.g. Hpi)			
Power line protection RCBO (6000/10 kA)	4 110 95	4 110 96	4 110 95	4 110 96	4 110 97	4 110 98
T2S line csa (mm² minimum)	2.5	4	2.5	4	6	10
Shunt trip / safety signal	4 062 76	4 062 76	4 062 76	4 062 76	4 062 76	4 062 76
Surge protective device	0 039 51	0 039 51	0 039 51	0 039 51	0 039 51	0 039 51

Single-phase charging stations - Modes 2 and 3



Cat.No	0 580 30 / 0 590 70		0 580 35 / 0 590 71			
Power setting (kW)	3.7	4.6	3.7	4.6	5.8	7.4
Charging station rating (A)	16	20	16	20	25	32
Power line protection rating	20 A, C curve	25 A, C curve	20 A, C curve	25 A, C curve	32 A, C curve	40 A, C curve
RCD	30 mA Type F (e.g. Hpi)		30 mA Type F (e.g. Hpi)			
Power line protection RCBO (6000/10 kA)	4 110 95	4 110 96	4 110 95	4 110 96	4 110 97	4 110 98
Power line csa (mm² minimum)	2.5	4	2.5	4	6	10
Shunt trip / safety signal	4 062 76	4 062 76	4 062 76	4 062 76	4 062 76	4 062 76
2P+E line protection	included	included	included	included	included	included
Surge protective device	0 039 51	0 039 51	0 039 51	0 039 51	0 039 51	0 039 51

Three-phase charging stations - Modes 2 and 3



Cat.No	0 580 02 / 0 590 07			
Power setting (kW)	11	15	18	22
Charging station rating (A)	16	20	25	32
Power line protection rating	20 A, C curve	25 A, C curve	32 A, C curve	40 A, C curve
RCD	30 mA Type F (e.g. Hpi)			
Power line protection MCB (6000/10 kA)	4 112 45	4 112 46	4 112 47	4 079 32 + 4 105 34
Power line csa (mm² minimum)	2.5	4	6	10
Shunt trip / safety signal	4 062 76	4 062 76	4 062 76	4 062 76
Surge protective device	0 039 53	0 039 53	0 039 53	0 039 53

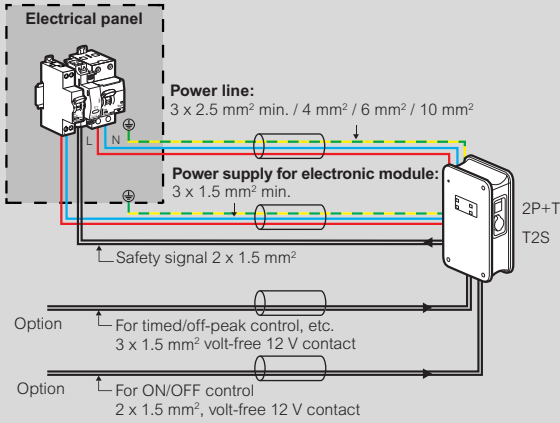
Green'up™ Premium charging stations with integrated DC protection

for electric vehicle charging (continued)

Installation principle

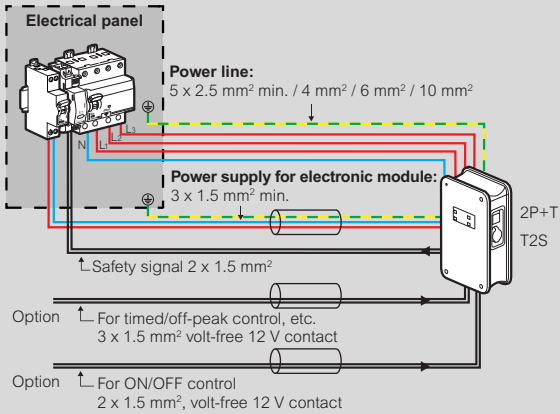
Note: the wiring must be doubled up for a 2-vehicle charging station. The installation of a surge protective device is recommended.

Single-phase charging stations - Modes 2 and 3



Cat.No	0 580 41/42		0 580 43/44			
Power setting (kW)	3.7	4.6	3.7	4.6	5.8	7.4
Charging station rating (A)	16	20	16	20	25	32
Power line protection rating	20 A, C curve	25 A, C curve	20 A, C curve	25 A, C curve	32 A, C curve	40 A, C curve
RCD	30 mA Type F (e.g. Hpi)		30 mA Type F (e.g. Hpi)			
Power line protection RCBO (6000/10 kA)	4 110 95	4 110 96	4 110 95	4 110 96	4 110 97	4 110 98
Power line csa (mm² minimum)	2.5	4	2.5	4	6	10
Shunt trip / safety signal	4 062 76	4 062 76	4 062 76	4 062 76	4 062 76	4 062 76
Electronic module power supply line - protection rating	2 A, C curve	2 A, C curve	2 A, C curve	2 A, C curve	2 A, C curve	2 A, C curve
RCD	30 mA Type AC		30 mA Type AC			
Electronic module power supply line RCBO (6000/10 kA)	4 109 97	4 109 97	4 109 97	4 109 97	4 109 97	4 109 97
Electronic module power supply line csa (mm² minimum)	1.5	1.5	1.5	1.5	1.5	1.5
2P+E line protection	included	included	included	included	included	included
Surge protective device	0 039 51	0 039 51	0 039 51	0 039 51	0 039 51	0 039 51

Three-phase charging stations - Modes 2 and 3



Cat.No	0 580 48/49			
Power setting (kW)	11	15	18	22
Charging station rating (A)	16	20	25	32
Power line protection rating	20 A, C curve	25 A, C curve	32 A, C curve	40 A, C curve
RCD	30 mA Type F (e.g. Hpi)	30 mA Type F (e.g. Hpi)	30 mA Type F (e.g. Hpi)	30 mA Type F (e.g. Hpi)
Power line protection MCB (6000/10 kA)	4 112 45	4 112 46	4 112 47	4 079 32 + 4 105 34
Power line csa (mm² minimum)	2.5	4	6	10
Shunt trip / safety signal	4 062 76	4 062 76	4 062 76	4 062 76
Electronic module power supply line - protection rating	2 A, C curve	2 A, C curve	2 A, C curve	2 A, C curve
RCD	30 mA Type AC	30 mA Type AC	30 mA Type AC	30 mA Type AC
Electronic module power supply line RCBO (6000/10 kA)	4 109 97	4 109 97	4 109 97	4 109 97
Electronic module power supply line csa (mm² minimum)	1.5	1.5	1.5	1.5
2P+E line protection	included	included	included	included
Surge protective device	0 039 53	0 039 53	0 039 53	0 039 53

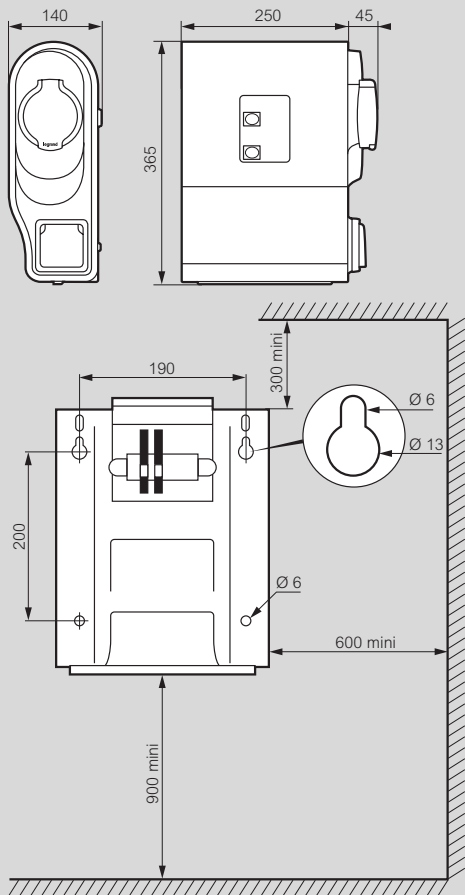
Green'up™ Premium charging stations

for electric vehicle charging

■ Dimensions and mounting for plastic charging stations (mm)

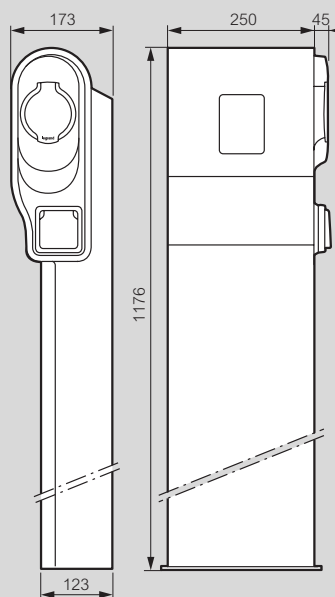
Wall mounting charging stations

Cat.No 0 580 00/01/02/30/35, 0 590 00/01/02/05/06/07/30/35/70/71

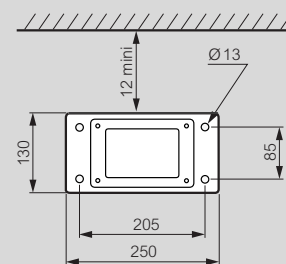


Free standing charging stations

Cat.No 0 580 00/01/02/30/35, 0 590 00/01/02/05/06/07/30/35/70/71 + 0 590 52



Fixing to the ground



Charging stations compliant with ZE Ready 1.2 and EV Ready 1.4F specifications for construction regulations applicable to these products. ZE Ready and EV Ready are registered trademarks of Renault.

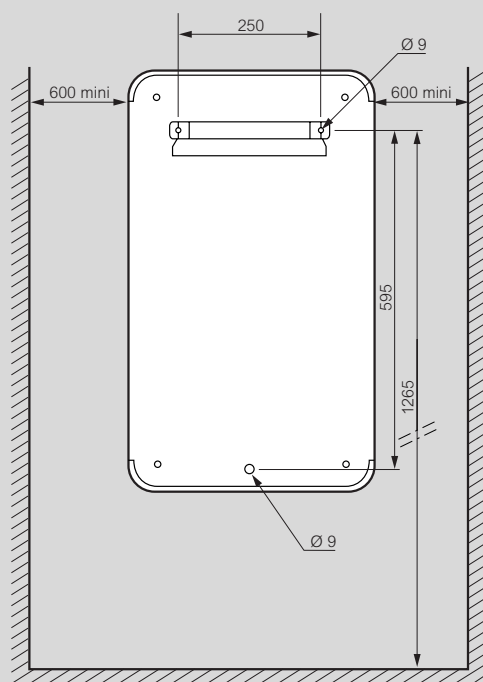
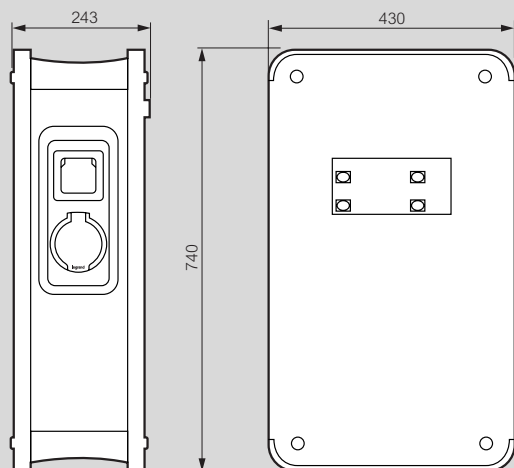
Green'up™ Premium charging stations

for electric vehicle charging (continued)

■ Dimensions and mounting for metal charging stations

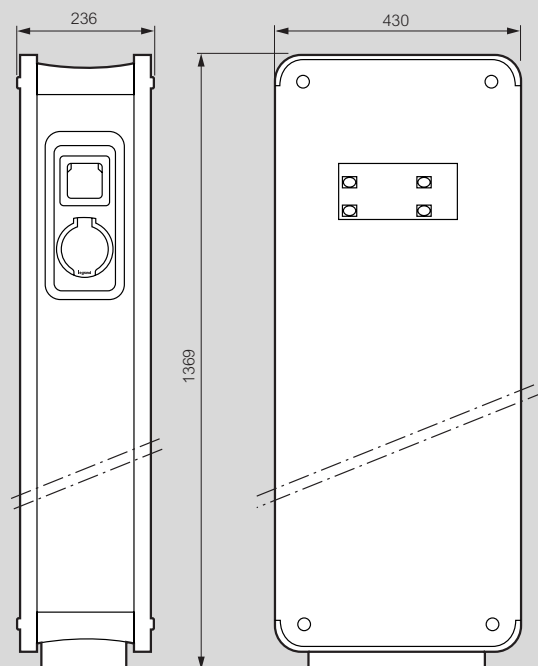
Wall mounting charging stations with front cover

Cat.No 0 580 41/42/43/44/48/49, 0 590 41/42/43/44/48/49 + 0 590 53

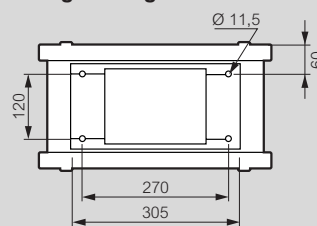


Free standing charging stations with front cover

Cat.No 0 580 41/42/43/44/48/49, 0 590 41/42/43/44/48/49 + 0 590 54



Fixing to the ground








In accordance with its policy of continual improvement, the company reserves the right to modify the characteristics and design of its products without warning.

All illustrations, descriptions, dimensions, and weights indicated in this catalogue are given as a guide only and the company cannot be held liable for their accuracy.



FOLLOW US ALSO ON

- @ legrand.com
-  youtube.com/user/legrand
-  facebook.com/Legrand
-  twitter.com/Legrand
-  pinterest.com/legrandgroup
-  instagram.com/legrandnews



Head office

and International Department
87045 Limoges Cedex - France
Tel. : + 33 (0) 5 55 06 87 87
Fax: + 33 (0) 5 55 06 74 55